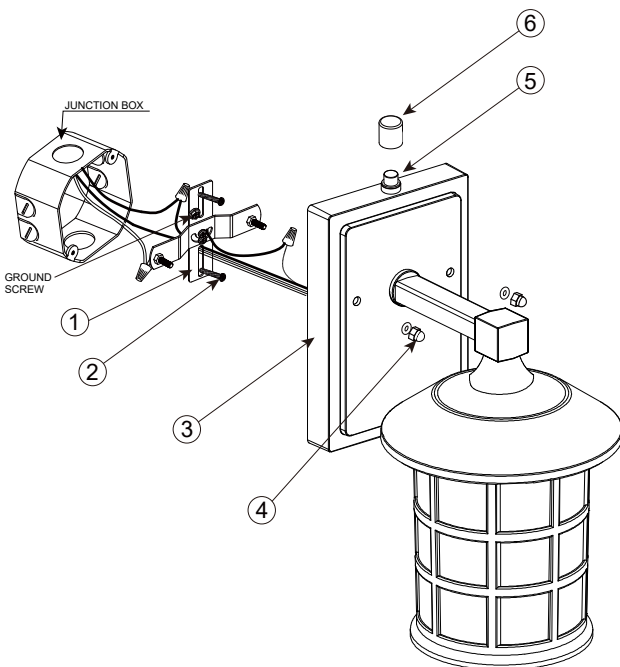


IMPORTANT: Read carefully before installation and retain for future reference.

- RISK OF ELECTRICAL SHOCK. TURN MAIN SWITCH AND CIRCUIT BREAKER TO "OFF" POSITION BEFORE SERVICE OR RELAMPING.
- All electrical connections must be in accordance with local codes, ordinances and National Electrical Code. If you are unfamiliar with proper electrical wiring or connections, secure the services of a qualified licensed electrician.
- Proper grounding of the fixture is essential for protection from shock, correct operation of the electronic driver and the elimination of electrical interference.

Flush Mount

FIG.1



INSTALLATION FOR FLUSH MOUNTING

(Please refer to FIG.1)

TURN OFF POWER FROM THE MAIN CIRCUIT BEFORE INSTALLING FIXTURE.

Assembly Instructions

Step 1 – Preparing for installation.

- A. Disconnect electrical power at fuse or circuit breaker box before installing or servicing any part of this fixture.
- B. Carefully remove the fixture from the carton and check that all parts are included.
- C. Disassemble mounting bracket (1) from the fixture housing (3) by removing all necessary components per illustration shown.
- D. Install mounting bracket (1) to the junction box (not included).

Wiring—all wiring must take place inside junction box (not included).

Step 2 – Wiring fixture.

- A. Make all wire connections to appropriate wire. Secure with wire nuts (provided).
- B. Connect the bare wire from the fixture and the supply power source ground wire.
- C. Connect the black wire from the fixture to the black (L) wire from supply power source.
- D. Connect the white wire from the fixture to the white (N) wire from supply power source.
- E. Pull on each wire lead to make sure connections are secure. Make certain no bare wires are exposed outside of wire connectors. Tuck all connections neatly into the junction box.

Step 3 – Mounting.

- A. Install fixture housing (3) to mounting bracket (1) by aligning holes on the housing to the studs on the mounting bracket then secure it with two finials (4).
- B. Apply a small amount of silicone (not included) per manufacturer's instruction around finials (4) and around the fixture housing (3) where it contacts with the surface of the wall.

Step 4 – Restore power at fuse or circuit breaker box.

- * **Note:** If want to disable photocell(5) , use the Photocell Cap(6) to cover photocell.
- * Adjust CCT switch according to the desired color temperature.
- * Apply a small amount of silicone (not included) per manufacturer's recommendation around the perimeter of the aluminum frame (5) where it contacts with the surface of the wall or ceiling.

PREPARATION:

1. Tools and material needed: screw driver, pliers, wire nuts, electrical tape.
2. To help prevent the possibility of electrical shock, the use of rubber sole shoes is recommended.
3. Exercise care when handling the fixture to avoid cuts or abrasions.
4. If a ladder is needed, use sturdy ones and set them on flat level surface.